

## 承座銷 · 可調整的

EH 22690.



### 產品描述

可調整的座銷可用作底座和止動元件。

### 材質

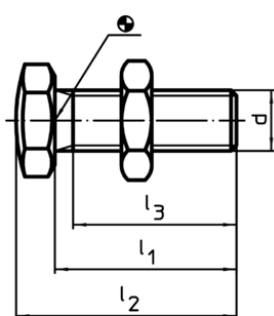
#### 承座銷

- 鋼、熱處理、品質10.9，染黑 / 表面感應硬化

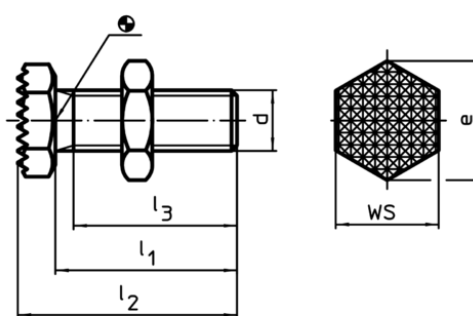
#### 螺帽

- 鋼，quality 8.8 (ISO 4035) 染黑

### 圖面





picture 1



picture 2

### 訂單資訊

d	l <sub>1</sub> ±1,5	尺寸 l <sub>2</sub> ±1,5 [mm]	l <sub>3</sub> min	e	WS [mm]	 [g]	RoHS	REACH	品號
球形面 – 相片 1									
M 6	20	23,5	19,0	11,5	10	6,8	RoHS 認證	contains no SVHC materials	22690.0606
M 8	25	30,0	21,0	14,5	13	15,0	RoHS 認證	contains no SVHC materials	22690.0608
M10	30	36,0	25,5	19,6	17	31,0	RoHS 認證	contains no SVHC materials	22690.0610
M12	35	42,0	29,7	21,9	19	47,0	RoHS 認證	contains no SVHC materials	22690.0612
M16	40	49,5	34,0	27,7	24	99,0	RoHS 認證	contains no SVHC materials	22690.0616
M20	45	57,0	37,0	34,6	30	179,0	RoHS 認證	contains no SVHC materials	22690.0620
M24	50	64,0	40,0	41,6	36	294,0	RoHS 認證	contains no SVHC materials	22690.0624
肋紋面 – 相片 2									
M 6	20	23,5	19,0	11,5	10	6,7	RoHS 認證	contains no SVHC materials	22690.0626
M 8	25	30,0	21,0	14,5	13	15,0	RoHS 認證	contains no SVHC materials	22690.0628
M10	30	36,0	25,5	19,6	17	32,0	RoHS 認證	contains no SVHC materials	22690.0630

d	l <sub>1</sub> ±1,5	尺寸			WS [mm]	 [g]	RoHS	REACH	品號
		l <sub>2</sub> ±1,5 [mm]	l <sub>3</sub> min	e					
M12	35	42,0	29,7	21,9	19	49,0	RoHS 認證	contains no SVHC materials	<a href="#">22690.0632</a>
M16	40	49,5	34,0	27,7	24	100,0	RoHS 認證	contains no SVHC materials	<a href="#">22690.0636</a>
M20	45	57,0	37,0	34,6	30	177,0	RoHS 認證	contains no SVHC materials	<a href="#">22690.0640</a>
M24	50	64,0	40,0	41,6	36	296,0	RoHS 認證	contains no SVHC materials	<a href="#">22690.0644</a>

應用範例

