

## 軸環螺帽附圓錐型座

EH 23080.

### 產品描述

此種組合可彌補不規則表面的不足。

### 材質

錐形座  
• 鋼，熱處理， 染黑

螺帽  
• 鋼，熱處理， 染黑

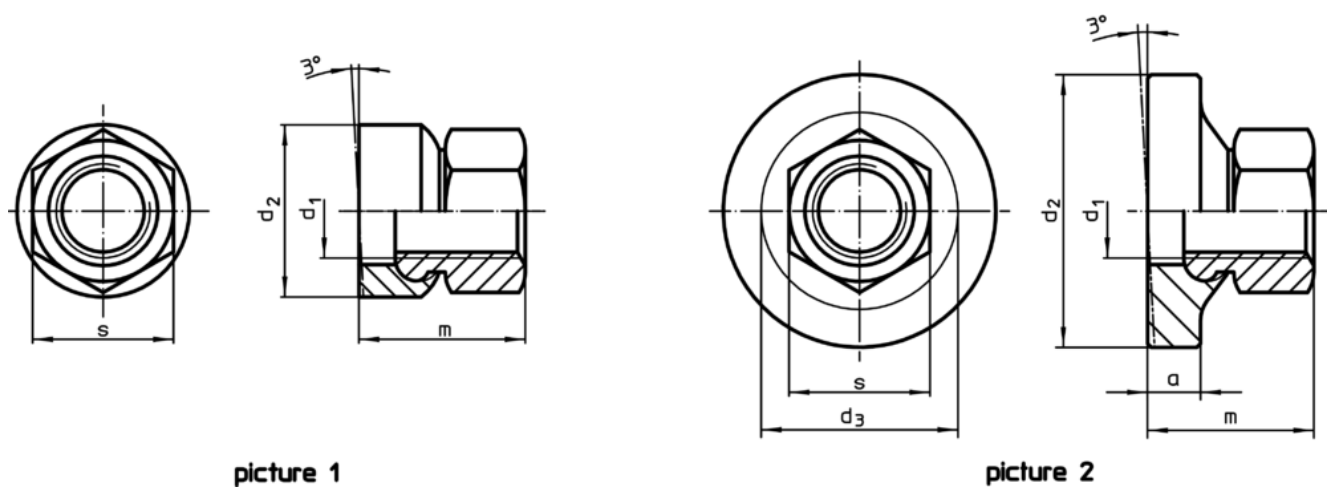
### 更多資訊

### 參考

有關起始扭力和穩定性請參考附件 - 技術資料 -




### 圖面




picture 1

picture 2

### 訂單資訊

d <sub>1</sub>	a	尺寸 d <sub>2</sub> [mm]	d <sub>3</sub>	m ~	s [mm]	 [g]	RoHS	REACH	品號
具有小表面 - 相片 1									
M 8	-	17	-	14,0	13	13	RoHS 認證	contains no SVHC materials	23080.0508
M10	-	21	-	17,5	16	24	RoHS 認證	contains SVHC materials >0.1% w/w	23080.0510
M12	-	24	-	21,5	18	37	RoHS 認證	contains SVHC materials >0.1% w/w	23080.0512
M16	-	30	-	28,0	24	61	RoHS 認證	contains no SVHC materials	23080.0516
M20	-	36	-	35,0	30	141	RoHS 認證	contains no SVHC materials	23080.0520
M24	-	44	-	42,5	36	258	RoHS 認證	contains no SVHC materials	23080.0524
M30	-	55	-	56,0	46	544	RoHS 認證	contains no SVHC materials	23080.0530

d <sub>1</sub>	a	尺寸 d <sub>2</sub> [mm]	d <sub>3</sub>	m ~	s [mm]	 [g]	RoHS	REACH	品號
具有大表面 – 相片 2									
M 8	4,0	24	17,8	14,0	13	20	RoHS 認證	contains no SVHC materials	23080.0608
M10	5,5	30	21,2	17,5	16	39	RoHS 認證	contains SVHC materials >0.1% w/w	23080.0610
M12	7,0	36	25,2	21,5	18	68	RoHS 認證	contains SVHC materials >0.1% w/w	23080.0612
M16	8,0	44	30,9	28,0	24	124	RoHS 認證	contains no SVHC materials	23080.0616
M20	9,5	50	39,9	35,0	30	214	RoHS 認證	contains no SVHC materials	23080.0620
M24	11,0	60	49,6	42,5	36	376	RoHS 認證	contains no SVHC materials	23080.0624
M30	14,0	68	61,3	56,0	46	691	RoHS 認證	contains no SVHC materials	23080.0630

應用範例

