

壓板·附軟質面, 類似於DIN 6314
EH 23190.

產品描述

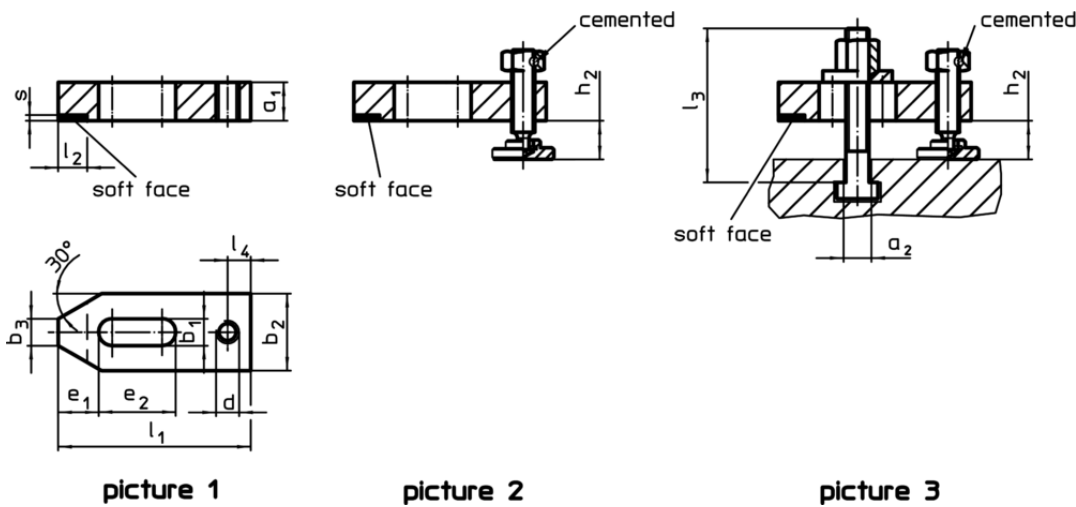
銅板可保護工件免於損壞。固夾螺栓上螺帽 DIN 6330 B (EH 2307.) / 錐形座 DIN 6319 G (EH 2305.) 與調整螺絲上推力墊 DIN 6311 (EH 2256. 可拆式) 的組合, 可彌補平行性的不足。固定夾可應用於任何一種方式 (軟質或硬質固夾面)。

材質

- 軟面
• 銅, 銅焊
- 鉗
• 熱處理鋼, 染黑



圖面



訂單資訊

標稱昏暗。 b ₁ [mm]	尺寸												T槽尺寸 [mm]	夾持高度		[g]	RoHS	REACH	品號
	a ₁	l ₃	a ₂	b ₂	b ₃	d	e ₁	e ₂	l ₁	l ₂	l ₄	s		h ₂ min.	h ₂ max.				
不含零件 - 相片 1																			
9	12	-	-	25	10	M 8	13	22	60	10	8	2	-	-	-	107	RoHS 認證	contains no SVHC materials	23190.0010
11	15	-	-	30	12	M10	15	30	80	12	10	2	-	-	-	221	RoHS 認證	contains no SVHC materials	23190.0020
14	20	-	-	40	14	M12	21	40	100	15	12	3-0,5	-	-	-	479	RoHS 認證	contains no SVHC materials	23190.0030
18	25	-	-	50	18	M16	26	45	125	20	16	3-0,5	-	-	-	927	RoHS 認證	contains no SVHC materials	23190.0040
只有調整螺絲 - 相片 2																			
9	12	-	-	25	10	M 8	13	22	60	10	8	2	-	8	23	150	RoHS 認證	contains SVHC materials >0.1% w/w	23190.0011
9	12	-	-	25	10	M 8	13	22	60	10	8	2	-	8	43	160	RoHS 認證	contains SVHC materials >0.1% w/w	23190.0012
11	15	-	-	30	12	M10	15	30	80	12	10	2	-	10	38	295	RoHS 認證	contains SVHC materials >0.1% w/w	23190.0021
11	15	-	-	30	12	M10	15	30	80	12	10	2	-	10	58	310	RoHS 認證	contains SVHC materials >0.1% w/w	23190.0022

標稱昏暗。 b ₁ [mm]	尺寸												T槽尺寸 [mm]	夾持高度		重量 [g]	RoHS	REACH	品號
	a ₁	l ₃	a ₂	b ₂	b ₃	d	e ₁	e ₂	l ₁	l ₂	l ₄	s		h ₂ min	h ₂ max.				
14	20	-	-	40	14	M12	21	40	100	15	12	3-0,5	-	10	31	590	RoHS 認證	contains SVHC materials >0.1% w/w	23190.0031
14	20	-	-	40	14	M12	21	40	100	15	12	3-0,5	-	10	71	620	RoHS 認證	contains SVHC materials >0.1% w/w	23190.0032
18	25	-	-	50	18	M16	26	45	125	20	16	3-0,5	-	12	42	1150	RoHS 認證	contains SVHC materials >0.1% w/w	23190.0041
18	25	-	-	50	18	M16	26	45	125	20	16	3-0,5	-	12	87	1220	RoHS 認證	contains SVHC materials >0.1% w/w	23190.0042
含調整螺絲 和夾持螺柱 - 相片 3																			
9	12	50	7,6	25	10	M 8	13	22	60	10	8	2	8	8	16	200	RoHS 認證	contains SVHC materials >0.1% w/w	23190.0015
9	12	80	7,6	25	10	M 8	13	22	60	10	8	2	8	8	43	220	RoHS 認證	contains SVHC materials >0.1% w/w	23190.0016
11	15	65	9,6	30	12	M10	15	30	80	12	10	2	10	10	22	385	RoHS 認證	contains SVHC materials >0.1% w/w	23190.0025
11	15	100	9,6	30	12	M10	15	30	80	12	10	2	10	10	58	420	RoHS 認證	contains SVHC materials >0.1% w/w	23190.0026
14	20	80	11,6	40	14	M12	21	40	100	15	12	3-0,5	12	10	28	740	RoHS 認證	contains SVHC materials >0.1% w/w	23190.0035
14	20	125	11,6	40	14	M12	21	40	100	15	12	3-0,5	12	10	71	805	RoHS 認證	contains SVHC materials >0.1% w/w	23190.0036
14	20	80	13,6	40	14	M12	21	40	100	15	12	3-0,5	14	10	26	755	RoHS 認證	contains SVHC materials >0.1% w/w	23190.0037
14	20	125	13,6	40	14	M12	21	40	100	15	12	3-0,5	14	10	71	820	RoHS 認證	contains SVHC materials >0.1% w/w	23190.0038
18	25	100	15,6	50	18	M16	26	45	125	20	16	3-0,5	16	12	31	1470	RoHS 認證	contains SVHC materials >0.1% w/w	23190.0045
18	25	160	15,6	50	18	M16	26	45	125	20	16	3-0,5	16	12	87	1630	RoHS 認證	contains SVHC materials >0.1% w/w	23190.0046
18	25	100	17,6	50	18	M16	26	45	125	20	16	3-0,5	18	12	32	1490	RoHS 認證	contains SVHC materials >0.1% w/w	23190.0047
18	25	160	17,6	50	18	M16	26	45	125	20	16	3-0,5	18	12	87	1650	RoHS 認證	contains SVHC materials >0.1% w/w	23190.0048

應用範例

