

高壓花的螺母 (有軸環) · DIN 466 EH 24780.

產品描述



材質

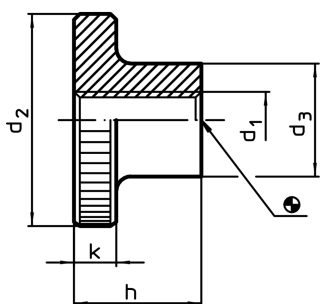
- 鋼，塗黑，質量 5
- 不銹鋼 1.4301，噴砂處理

更多資訊


注意事項

根據 DIN 規範，壓花的間距和深度也不同。

圖面



訂單資訊

d ₁	d ₂	d ₃	尺寸 [mm]	h	k	 [g]	RoHS	REACH	品號
M 3	12	6		7,5	2,5	2,9	RoHS 認證	contains SVHC materials >0.1% w/w	24780.0030
M 4	16	8		9,5	3,5	6,7	RoHS 認證	contains SVHC materials >0.1% w/w	24780.0040
M 5	20	10		11,5	4,0	12,0	RoHS 認證	contains no SVHC materials	24780.0050
M 6	24	12		15,0	5,0	23,0	RoHS 認證	contains no SVHC materials	24780.0060
M 8	30	16		18,0	6,0	44,0	RoHS 認證	contains no SVHC materials	24780.0080
M10	36	20		23,0	8,0	85,0	RoHS 認證	contains no SVHC materials	24780.0100
M12	40	22		25,0	10,0	119,0	RoHS 認證	contains no SVHC materials	24780.0120 ¹⁾

¹⁾ DIN 標準不包含這些尺寸。

d ₁	d ₂	尺寸			k	[g]	RoHS	REACH	品號
		d ₃	h	[mm]					
不銹鋼									
M 4	16	8	9,5	3,5	6,7	RoHS 認證	contains no SVHC materials	24780.0240	
M 5	20	10	11,5	4,0	12,0	RoHS 認證	contains no SVHC materials	24780.0250	
M 6	24	12	15,0	5,0	23,0	RoHS 認證	contains no SVHC materials	24780.0260	
M 8	30	16	18,0	6,0	44,0	RoHS 認證	contains no SVHC materials	24780.0280	
M10	36	20	23,0	8,0	83,0	RoHS 認證	contains no SVHC materials	24780.0300	

¹⁾ DIN 標準不包含這些尺寸。

應用範例

