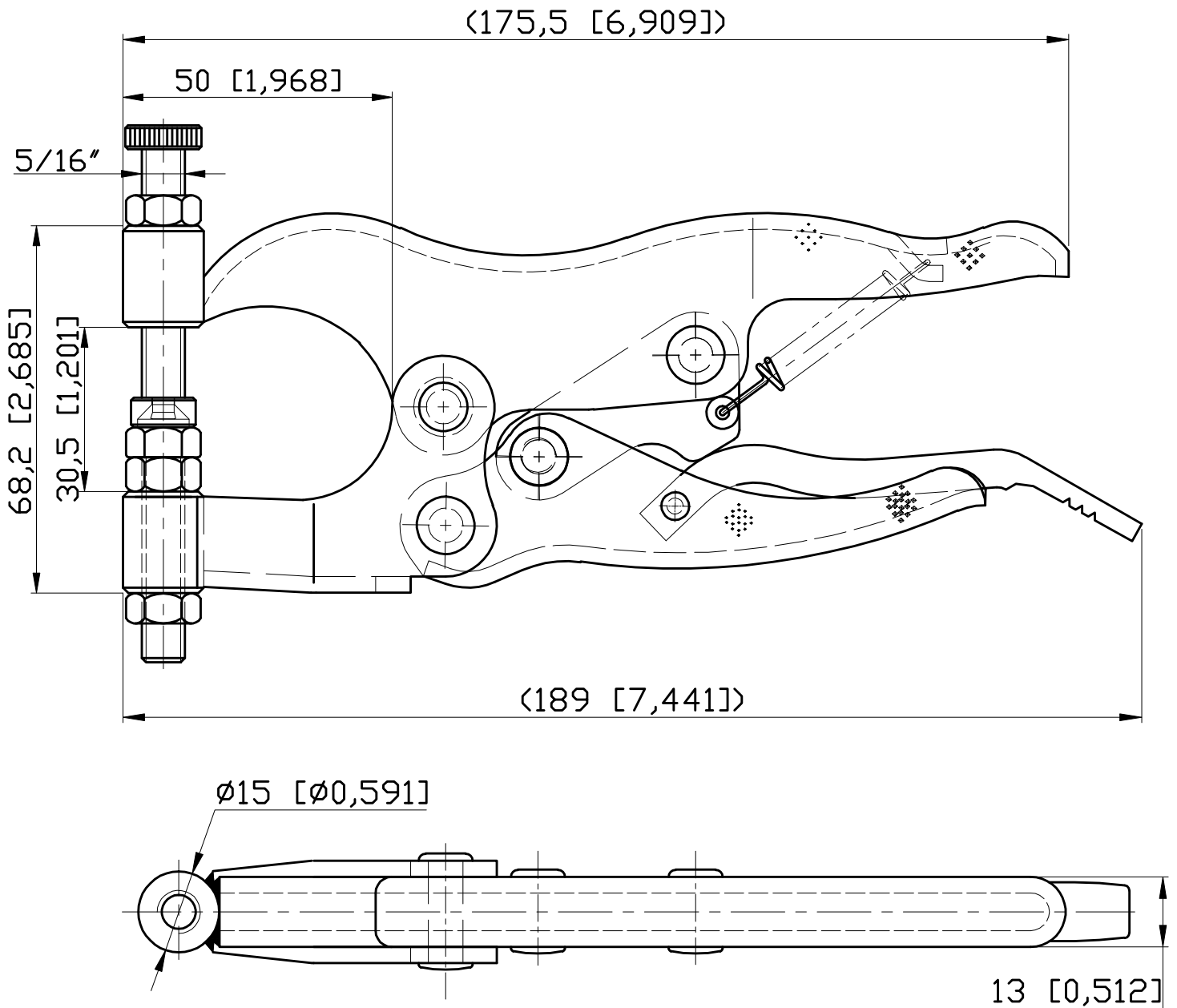




WEIGHT(g):475

PART NUMBER: CH-51010

HOLDING CAPACITY(kg):250



BAR OPENS :45°

SPINDLE SUPPLIED:CH-SA-56112