

# CHSG

## CHSG焊接高壓缸

### CHSG HYDRAULIC CYLINDER

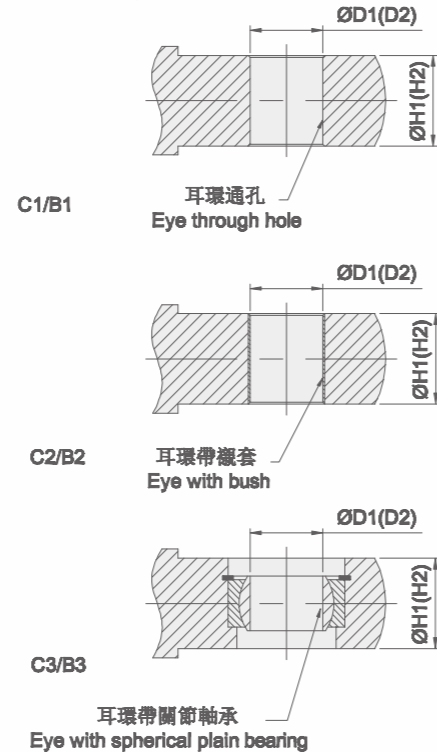


#### 訂購標示法 ORDERING INDICATION

示例: CHSG-D-d-100-XX-XX-XX

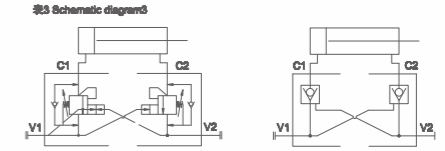
系列 Series	CHSG	
油缸內徑 Hydraulic cylinder inside diameter	Φ40, Φ50, Φ63, Φ80, Φ100, Φ125, Φ150, Φ180, Φ200, Φ220, Φ250	
活塞杆徑 Piston rod diameter	Φ25, Φ30, Φ35, Φ45, Φ55, Φ70/Φ80, Φ100, Φ120, Φ120, Φ140, Φ160	
行程 Stroke		
缸體固定型式 Barrel fixing type	FA	前法蘭型 Front flange
	FB	後法蘭 Rear flange
	TC	鉸軸 Cardinal axes
	C1	耳環通孔 Eye through port
活塞桿端連接方式 Piston rod end connection method	C2	耳環帶襯套 Eye with bush
	C3	耳環帶關節軸承 Eye with spherical plain bearing
	W	外螺紋 Exterior thread
	N	內螺紋 Inner thread
	B1	耳環通孔 Eye through port
B2	耳環帶襯套 Eye with bush	
B3	耳環帶關節軸承 Eye with spherical plain bearing	

圖 1-1 Drawing 1-1



閥配件  
Valve  
accessories

空白: 無  
CB: 帶雙向平衡 (抗衡) 閥  
CO: 帶雙向液控單向閥  
Blank: No  
CB: With modular counter balance valve  
CO: With modular pilot operated check valve

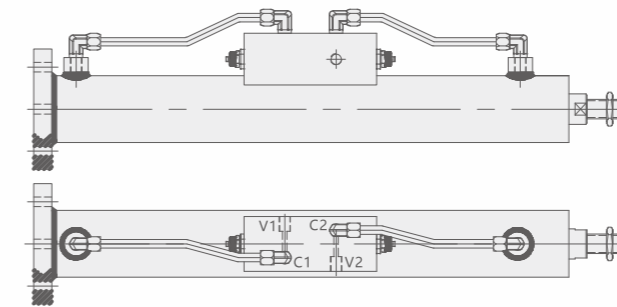


註: 帶雙向平衡 (抗衡) 閥或帶雙向液控單向閥, 適用於外負荷變化而要求行走速度平穩、容易控制、鎖緊時間較長、防止重物因自重下落、防止油管爆裂油缸下落。  
Note: With modular counter balance valve or with modular pilot operated check valve are applicable to make sure the cylinder working steadily, easy to control, long fasten time, not falling because of dead weight, and not falling because of pipe burst when external load changes.

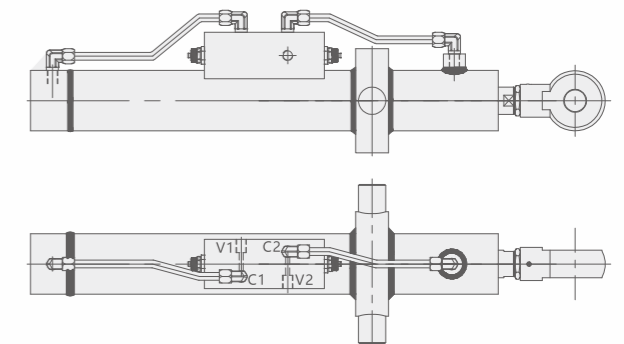
#### 大型油壓缸特性資料 Specifications

油缸內徑 Hydraulic cylinder inside diameter (mm)	Φ40 Φ50 Φ63 Φ80 Φ100 Φ125 Φ150 Φ180 Φ200 Φ220 Φ250
使用流體 Usable fluid	Recommended ISO-VG-32 hydraulic oil equivalent to ISO viscosity grade
缸管材質 Material of cylinder barrel	碳鋼管 Carbon steel STKM-13A~C
使用壓力範圍 The range of pressure (MPa)	10~210 kgf/cm <sup>2</sup>
使用速度範圍 The range of speed (mm/sec)	8~500 (mm/sec)
使用溫度範圍 Range of temperature (°C)	-30 ~ +100 (°C)

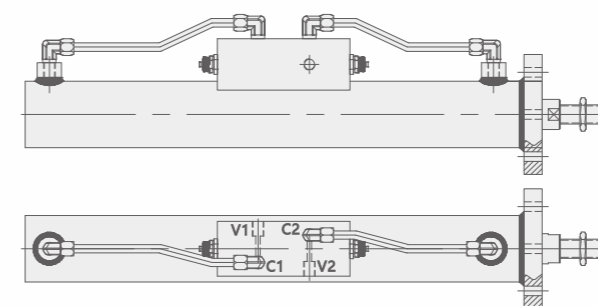
#### 後法蘭 REAR FLANGE



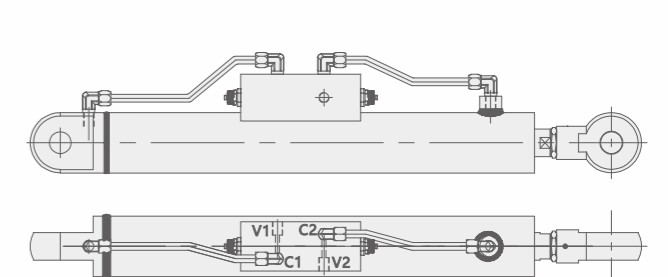
#### 鉸軸 CAEDINAL AXES



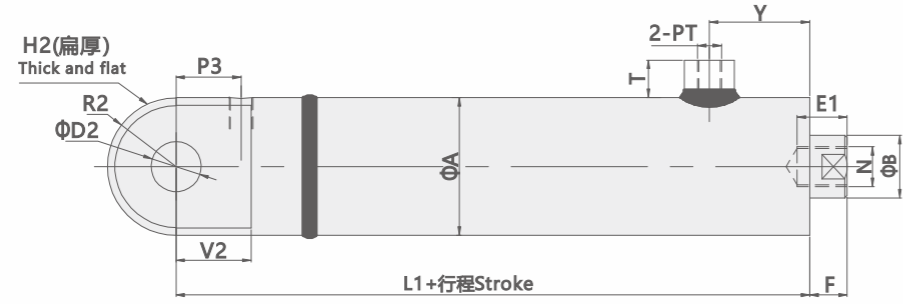
#### 前法蘭 FRONT FLANGE



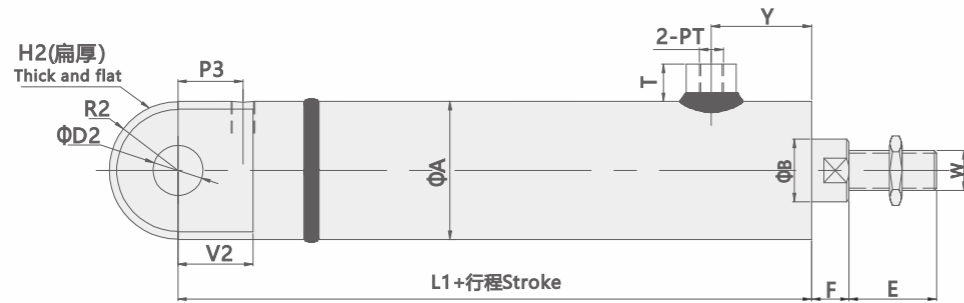
#### 耳環 EYE



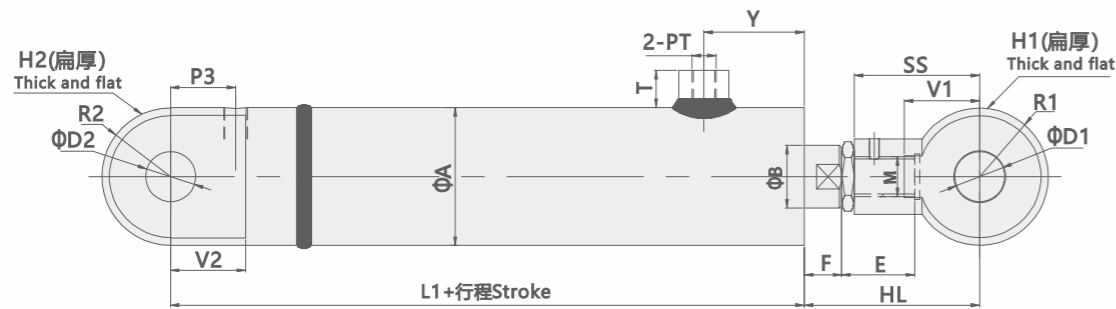
後耳環、內牙 REAR EYE INTERIOR THREAD



後耳環、外牙 REAR EYE EXTERIOR THREAD



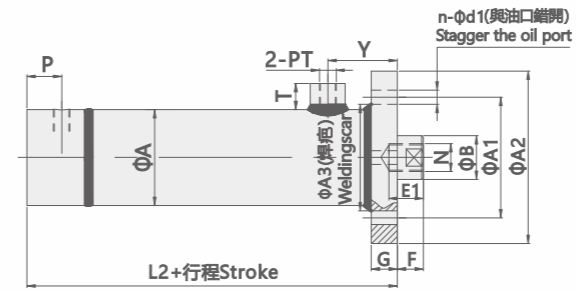
後耳環、前耳環 REAR EYE FRONT EYE



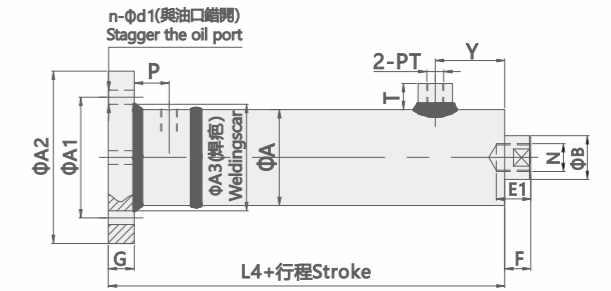
Unit:mm

HSG系列油缸外形尺寸 Dimension table																						
BORE	A	B	N	W	E	E1	F	SS	V1	V2	Y	P3	T	PT	H1	H2	R1	R2	D1	D2	HL	L1
Φ40	55	25	M16×1.5	M16×1.5	35	20	15	50	30	30	40	26	15	3/8"	25	25	25	25	20	20	80	153
Φ50	65	30	M20×1.5	M24×1.5	35	25	20	60	40	40	45	34	15	3/8"	35	35	35	35	30	30	95	173
Φ63	83	35	M27×1.5	M30×1.5	40	33	20	65	40	40	45	34	15	3/8"	35	35	35	35	30	30	100	173
Φ80	102	45	M30×1.5	M39×1.5	50	40	20	80	50	50	55	44	20	1/2"	45	45	45	45	40	40	115	244
Φ100	127	55	M42×2	M48×1.5	50	45	25	110	65	65	65	60	20	1/2"	60	60	60	60	50	50	150	265
Φ125	152	70/80	M52×2	M64×2	60	55	30	140	65	65	78	67	25	3/4"	60	60	60	60	50	50	190	297
Φ150	180	100	M68×2	M80×2	80	70	35	160	75	75	75	65	25	3/4"	70	70	70	70	60	60	215	315
Φ180	219	120	M85×2	M90×2	100	90	40	190	85	85	90	85	30	1"	80	80	80	80	70	70	255	390
Φ200	245	120	M85×3	M90×2	100	90	40	210	95	95	105	100	30	1"	90	90	90	90	80	80	275	440
Φ220	273	140	M105×3	M120×3	120	100	50	220	105	105	105	190	35	1-1/4"	90	90	90	90	90	90	300	450
Φ250	299	160	M140×3	M140×3	140	110	50	230	115	115	125	225	35	1-1/4"	110	110	110	110	100	100	300	500

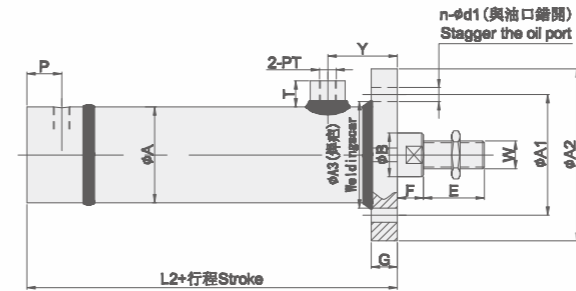
前法蘭、內牙 FRONT FLANGE INTERIOR THREAD



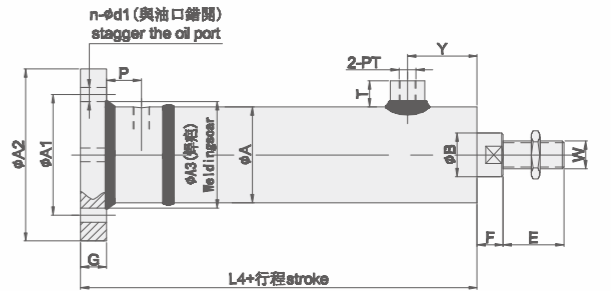
後法蘭、內牙 REAR FLANGE INTERIOR THREAD



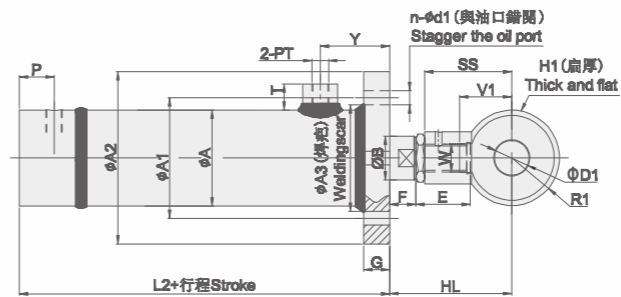
前法蘭、外牙 FRONT FLANGE EXTERIOR THREAD



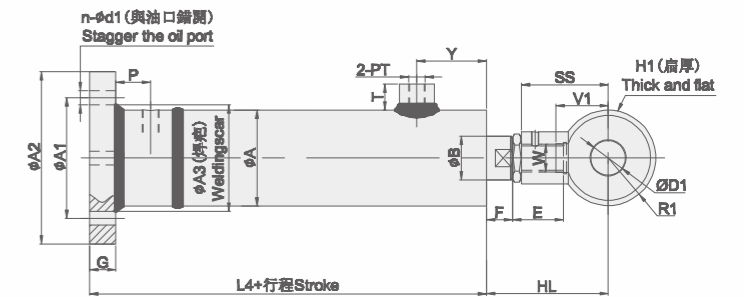
後法蘭、外牙 REAR FLANGE EXTERIOR THREAD



前法蘭、前耳環 FRONT FLANGE FRONT EYE



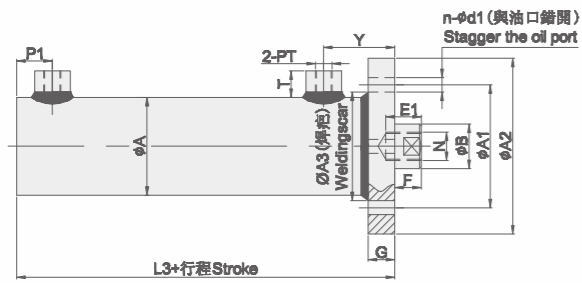
後法蘭、前耳環 REAR FLANGE FRONT EYE



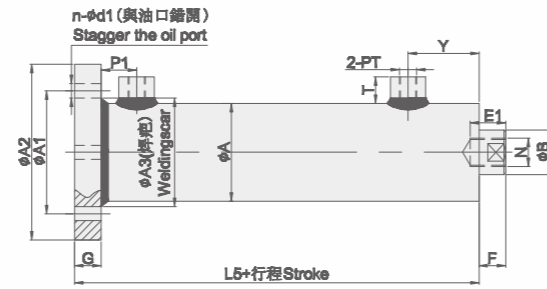
Unit:mm

HSG系列油缸外形尺寸 Dimension table																								
BORE	A	B	N	W	E	E1	F	G	A1	A2	A3	n-d1	SS	V1	Y	P	T	PT	H1	R1	D1	HL	L2	L4
Φ40	55	25	M16×1.5	M16×1.5	35	20	15	15	80	99	65	6-Φ8	50	30	40	20	15	3/8"	25	25	20	80	113	128
Φ50	65	30	M20×1.5	M24×1.5	35	25	20	15	90	109	75	6-Φ10	60	40	45	20	15	3/8"	35	35	30	95	123	138
Φ63	83	35	M27×1.5	M30×1.5	40	33	20	17	110	128	100	6-Φ10	65	40	45	20	15	3/8"	35	35	30	100	128	145
Φ80	102	45	M30×1.5	M39×1.5	50	40	20	25	145	173	118	6-Φ14	80	50	55	25	20	1/2"	45	45	40	115	164	189
Φ100	127	55	M42×2	M48×1.5	50	45	25	25	180	207	145	6-Φ18	110	65	65	25	20	1/2"	60	60	50	150	184	209

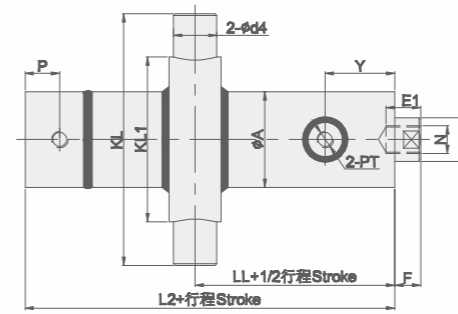
前法蘭、內牙  
FRONT FLANGE INTERIOR THREAD



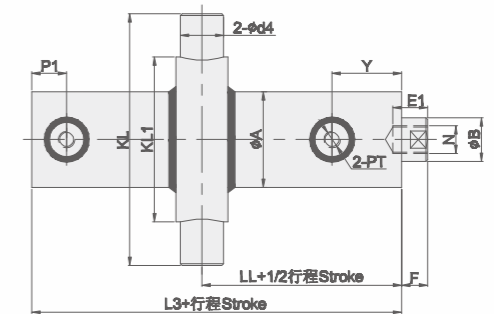
後法蘭、內牙  
REAR FLANGE INTERIOR THREAD



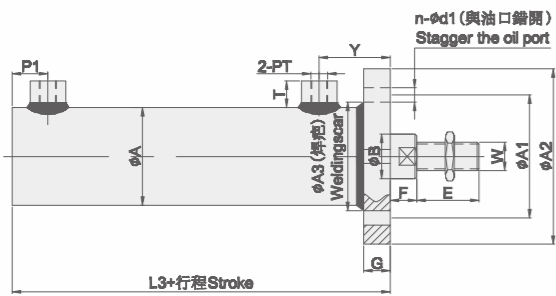
(Φ40-Φ100缸徑) 鉸軸、內牙  
(Φ40-Φ100BORE) CARDINAL AXES,  
INTERIOR THREAD



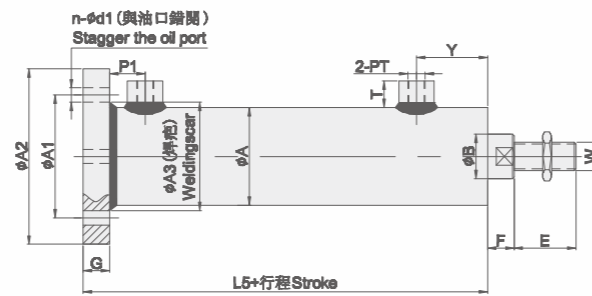
(Φ125-Φ250缸徑) 鉸軸、內牙  
(Φ125-Φ250BORE) CARDINAL AXES,  
INTERIOR THREAD



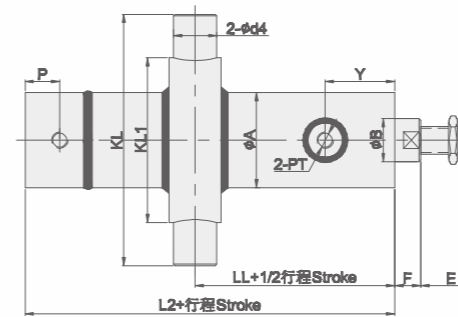
前法蘭、外牙  
FRONT FLANGE EXTERIOR THREAD



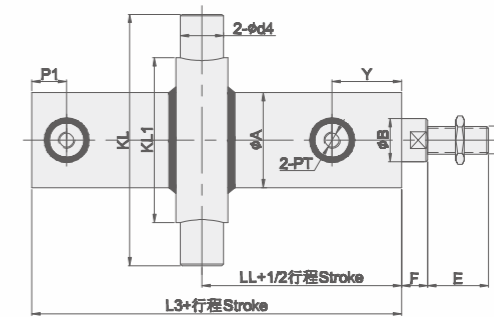
後法蘭、外牙  
REAR FLANGE EXTERIOR THREAD



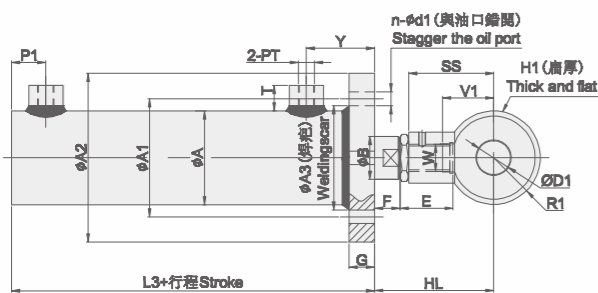
(Φ40-Φ100缸徑) 鉸軸、外牙  
(Φ40-Φ100BORE) CARDINAL AXES,  
EXTERIOR THREAD



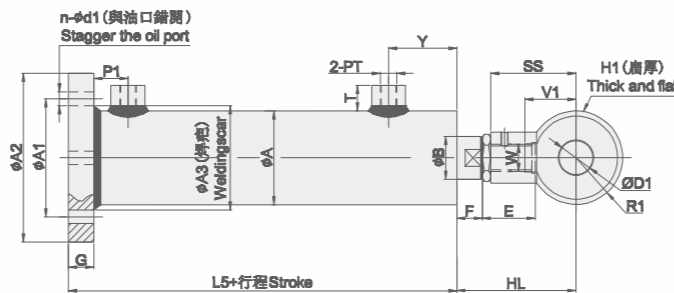
(Φ125-Φ250缸徑) 鉸軸、外牙  
(Φ125-Φ250BORE) CARDINAL AXES,  
EXTERIOR THREAD



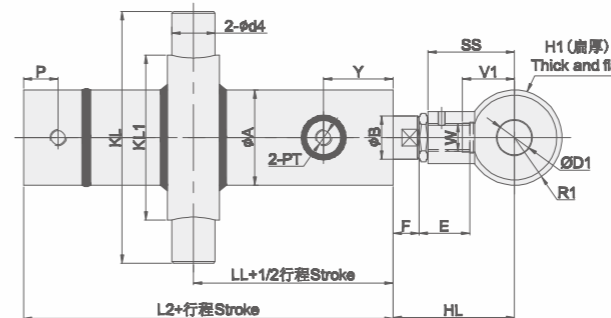
前法蘭、前耳環  
FRONT FLANGE FRONT EYE



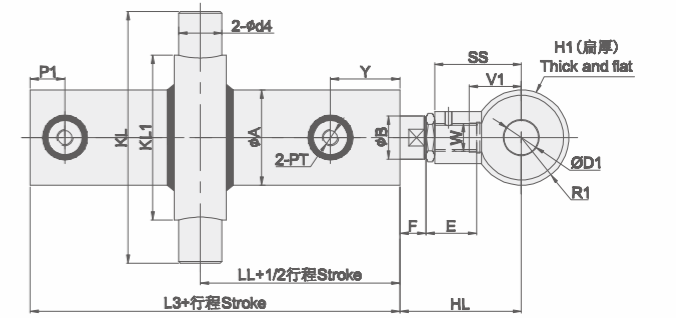
後法蘭、前耳環  
FRONT FLANGE FRONT EYE



(Φ40-Φ100缸徑) 鉸軸、前耳環  
(Φ40-Φ100BORE) CARDINAL AXES,  
FRONT EYE



(Φ125-Φ250缸徑) 鉸軸、前耳環  
(Φ125-Φ250BORE) CARDINAL AXES,  
FRONT EYE



Unit:mm

HSG系列油缸外形尺寸 Dimension table

BORE	A	B	N	W	E	E1	F	G	A1	A2	A3	n-φd1	SS	V1	Y	P1	T	PT	H1	R1	D1	HL	L3	L5
Φ125	152	70/80	M52×2	M64×2	60	55	30	30	210	237	170	8-Φ18	140	65	78	45	25	3/4"	60	60	50	190	210	240
Φ150	180	100	M68×2	M80×2	80	70	35	40	245	282	200	8-Φ22	160	75	75	55	25	3/4"	70	70	60	215	235	275
Φ180	219	120	M85×2	M90×2	100	90	40	50	285	322	240	8-Φ24	190	85	90	70	30	1"	80	80	70	255	395	345
Φ200	245	120	M85×3	M90×2	100	90	40	60	320	362	270	8-Φ26	210	95	105	85	30	1"	90	90	80	275	335	395
Φ220	273	140	M105×3	M120×3	120	100	50	60	355	402	300	8-Φ29	220	105	105	85	35	1-1/4"	90	90	90	295	345	405
Φ250	299	160	M140×3	M140×3	140	110	50	80	390	447	330	8-Φ32	230	115	125	110	35	1-1/4"	110	110	100	305	385	465

Unit:mm

HSG系列油缸外形尺寸 Dimension table

BORE	A	B	N	W	E	E1	F	SS	P1	V1	Y	P	R1	PT	D1	H1	HL	KL	KL1	d4	LL	L2	L3	最小行程
Φ40	55	25	M16×1.5	M16×1.5	35	20	15	50	-	30	40	20	25	3/8"	20	25	80	145	95	25	65	113	-	50
Φ50	65	30	M20×1.5	M24×1.5	35	25	20	60	-	40	45	20	35	3/8"	30	35	95	155	105	30	70	123	-	50
Φ63	83	35	M27×1.5	M30×1.5	40	33	20	65	-	40	45	20	35	3/8"	30	35	100	171	115	30	70	128	-	50
Φ80	102	45	M30×1.5	M39×1.5	50	40	20	80	-	50	55	25	45	1/2"	40	45	115	185	125	40	90	164	-	50
Φ100	127	55	M42×2	M48×1.5	50	45	25	110	-	65	65	25	60	1/2"	50	60	150	230	155	50	110	184	-	60
Φ125	152	70/80	M52×2	M64×2	60	55	30	140	45	65	78	-	60	3/4"	50	60	190	260	185	50	120	-	210	80
Φ150	180	100	M68×2	M80×2	80	70	35	160	55	75	75	-	70	3/4"	60	70	215	305	215	60	130	-	235	80
Φ180	219	120	M85×2	M90×2	100	90	40	190	70	85	90	-	80	1"	70	80	255	360	255	70	160	-	295	80
Φ200	245	120	M85×3	M90×2	100	90	40	210	85	95	105	-	90	1"	80	90	275	405	285	80	180	-	335	80
Φ220	273	140	M105×3	M120×3	120	100	50	220	85	105	105	-	90	1-1/4"	90	90	295	455	320	90	180	-	345	80
Φ250	299	160	M120×3	M140×3	140	110	50	230	110	115	125	-	110	1-1/4"	100	110	305	500	350	100	205	-	385	90