

CJRC

旋轉接頭

CJRC ROTARY JOINT



產品特性

旋轉接頭適用於油壓 / 氣壓 / 大容量冷卻液的供給JRB
採用專業開發的低摩擦密封件，從而實現了低轉矩、順暢的旋轉動作。此接頭是兼具了剛性/耐久性/密封性的嘉剛公司設計的長壽命旋轉接頭。供給口數量可選擇2、4、6、8供給口。

FEATURES

Apply for Hydraulic, Pneumatic&High Volume Coolant*1
It adopts the original developed low friction seal and low torque enables smooth rotation. Each part of this rotary joint is highly durable and each seal provided by CLAMPTEK has low torque, highly durable and high capacity design that allows for a longer life of the component. You can select the number of ports from 2, 4, 6, 8 along with the center through port.

選配項 OPTIONS

分類	供給口數量	特點	使用流體
CLASSIFICATION	THE NUMBER OF THE PORTS	FEATURES	USABLE FLUID
無中央供給口 No center Through Port	2/4/6/8 供給口 Port	低轉矩 (緊湊型) Low Rotary Torque (Compact Design)	一般液壓油: 7MPa以下 General Hydraulic Oil: 7 MPa 氣壓: 1MPa以下 Air: 1 MPa or Less

訂購標示法 ORDERING INDICATION

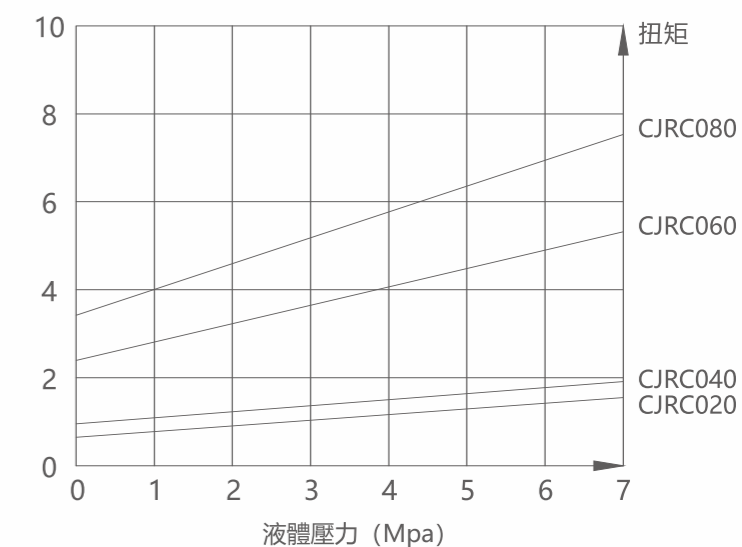
示例: CJRC-020SA

CJRC	系列 Series	CJRC
02	供給口數量 The Number of the Ports	02 : 2 供給口 2 ports 04 : 4 供給口 4 ports 06: 6供給口6ports 08: 8供給口8ports
0	無中央供給口 Center Through Port	0 : 無中心供給口 No Center Through Port
S	1次側配管方式 Mounting Direction	B : 外配管式 (G螺紋) Piping Option (BSPP Thread (G-Thread)) S : 外配管式 (Rc螺紋) Piping Option (BSPT (Rc-Thread))
A	2次側配管方式 Secondary Side Piping Method	A : 板式連接 · 外配管並用在 (附帶R螺紋堵頭) A: Both Gasket and Piping Options (With BSPT Plug (R-Thread Plug)) D : 板式連接 · 外配管並用在 (附帶G螺紋堵頭) D : Both Gasket and Piping Options (With BSPP (G-Thread Plug))

注意事項 Note

- 如需要上記配管方式以外連接方式時，請另行諮詢。
1. Contact us, if you need a piping option different than what is shown in model code of catalogue.

能力曲線圖 (轉矩: 參考值)
PERFORMANCE CURVE
(ROTARY TORQUE: REFERENCE VALUE)



型號 MODEL	轉矩 ROTARY TORQUE (N·m)			
流體壓力 FLUID PRESSURE (MPa)	CJRC020	CJRC040	CJRC060	CJRC080
7	1.5	1.8	5.5	7.5
6	1.4	1.7	5.1	6.9
5	1.4	1.6	4.7	6.4
4	1.3	1.5	4.3	5.8
3	1.2	1.5	4.0	5.3
2	1.1	1.4	3.6	4.7
1	1.1	1.3	3.2	4.2
0	1.0	1.2	2.8	3.6

注意事項

- 本圖表示轉矩 (N·m) 與流體壓力 (MPa) 之間的關係。
- 啟動轉矩偶爾會出現大於曲線圖所示轉矩 2 倍的情況。而且會因擱置時間等條件而發生變化。
- 轉矩為參考值

NOTE

- This graph shows the relationship between the rotary torque and the fluid pressure.
- The starting torque might be more than double of rotating torque shown in graphic and may change according to the conditions of the stationary down time. It varies according to the condition such as stationary down time.
- The rotary torque is a reference level.

規格參數表 SPECIFICATIONS

型號	使用壓力 OPERATING PRESSURE (MPa)		供給口 Ports		中央供給口	容許旋轉速度 (7MPa時)*1	重量	使用溫度	使用流體
MODEL	油 OIL	空氣 AIR	供給口數量 NUMBER	最小通路面積 MIN. PASSAGE AREA(mm²)	CENTER THROUGH PORT	ALLOWABLE ROTARY SPEED (AT 7MPa)*1(MIN-1)	WEIGHT(kg)	OPERATING TEMPERATURE(°C)	USABLE FLUID
CJRC-020	0~7.0	0~1.0	2	19.6	無Nothing	280	4.5	-10~70	普通液壓油或空氣 Recommended: ISO-VG-32 hydraulic oil equivalent to ISO viscosity grade or dry air
CJRC-040	0~7.0	0~1.0	4	19.6	無Nothing	280	5.5	-10~70	
CJRC-060	0~7.0	0~1.0	6	19.6	無Nothing	200	8.0	-10~70	
CJRC-080	0~7.0	0~1.0	8	19.6	無Nothing	200	8.6	-10~70	

注意事項

- *1. 容許旋轉速度是指在最高使用壓力(油壓7MPa)下的值
- 油氣並用時，油膜有可能滲入氣壓回路，請在兩迴路間設置殘液排放回路。
 - 連續運轉會導致內部密封件發熱，因此請避免連續運轉。

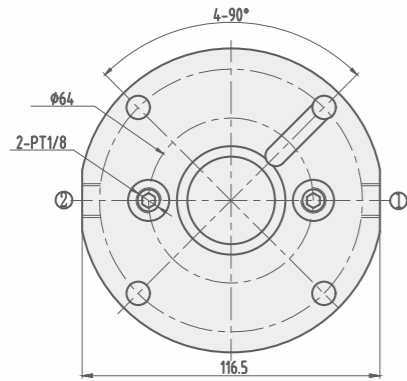
NOTE

- *1. The allowable rotary speed is based on operating pressure of maximum 7MPa.
- Please prepare one circuit for drainage between them when the oil slick leak from the hydraulic circuit to adjacent air circuit becomes a problem.
 - Please avoid continuous operation as it will cause overheating and damage to the internal packing.

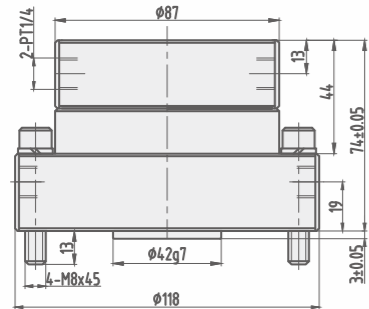
外形尺寸: CJRC-020
External Dimensions: CJRC-020

※ 本圖表示CJRC-020SA(2迴路)
□ This drawing indicates CJRC-020SA(2 Port Circuit)

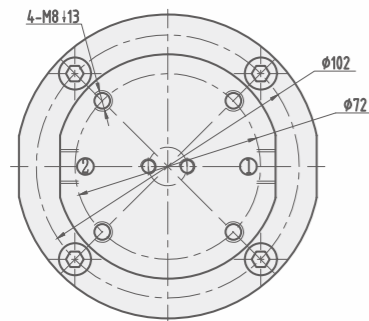
1次側供給口或2次側供給口需要G螺紋時, 請另行諮詢。
When G thread is necessary for a primary side or secondary side port, please contact us separately



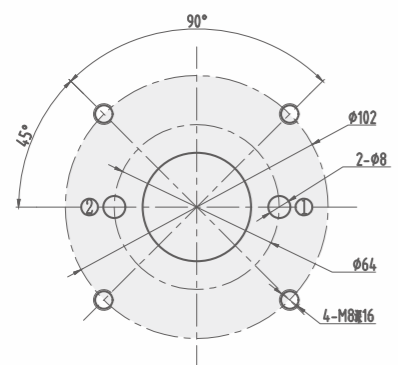
停止側 Stop Side



旋轉側 Rotating Side



安裝部加工尺寸
Machining Dimensions of Mounting Area



訂購標示法 ORDERING INDICATION
CJRC-020BA
SD

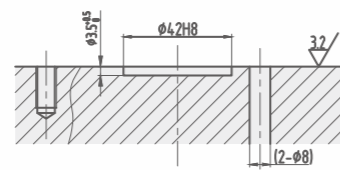
B S :1次側配管方式 Primary Side Piping Method
A D :2次側配管方式 Secondary Side Piping Method

1. 旋轉側請使用螺栓固定法蘭部, 停止側請只對旋轉方向進行固定。
2. 停止側的配管請使用軟管。
3. 油氣並用時, 油膜有可能滲入氣壓迴路, 請在兩迴路間設置殘液排放迴路
4. 連續運轉會導致內部密封件發熱, 因此請避免連續運轉。
5. 各供給口均標有及介面編號。
6. 2次側使用Rc1/4介面採用外配管方式連接時, 請使用附帶的R1/8螺紋堵頭塞住板式連介面。當使用板式連介面時, 請安裝O形密封圈和R1/4螺紋堵頭。

1. The rotation side must be fixed the flange part with of bolt, and restrain only the rotation direction of the stop side.
2. Please use hose for piping of stop side.
3. Please prepare one circuit for drainage between them when the oil slick leak from the hydraulic circuit to adjacent air circuit becomes a problem.
4. Please avoid continuous operation as it will cause overheating and damage to the internal packing.
5. Each port exhibits a port number.
6. When using Rc1/4 thread for a secondary side port, please attach the attached R1/8 screw plug to the gasket port part. When using gasket option, please attach O-ring and R1/4 plug.

- 1次側供給口 Incoming Port
2-Rc1/4螺紋 Rc-1/4 Thread
2次側供給口 Outgoing Port
2-Rc1/4螺紋 2-Rc-1/4 Thread
R螺紋堵頭(附帶) With BSPT Plug (R-Thread Plug)
4-M8×45螺絲(附帶)
4-M8×1.25×45 Bolt (Included)

- 12-Rc1/8螺紋 2-Rc-1/8 Thread
R螺紋堵頭(附帶) With BSPT Plug (R-Thread Plug)
2次側供給口 Outgoing Port
2-板式連介面 2-Gasket Port
O形密封圈: 1BP12(附帶)
O-ring: 1BP12 (Included)



僅板式連接需要此項

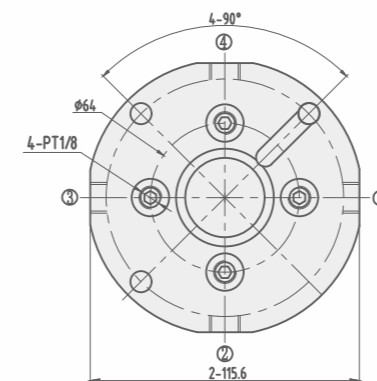
※1. 只有板式連接方式需要此項加工。
1. 安裝面(O形密封圈的密封面)的表面粗糙度 按6.3S加工。

※1. Only in the case of a gasket method, it is necessary. 1. Roughness of mounting surface (O ring sealsurface) should be 6.3S or less.

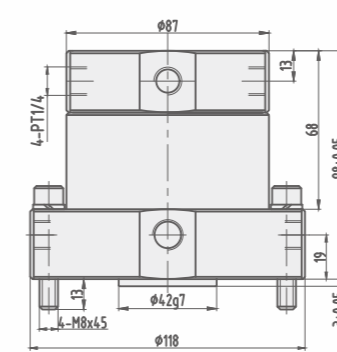
外形尺寸: CJRC-040
External Dimensions: CJRC-040

※ 本圖表示CJRC-040SA(4迴路)
□ This drawing indicates CJRC-040SA(4 Port Circuit)

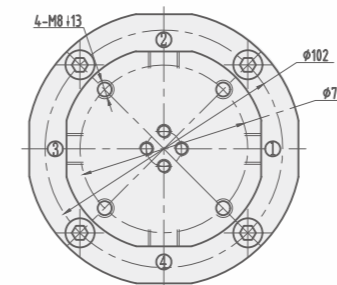
1次側供給口或2次側供給口需要G螺紋時, 請另行諮詢。
When G thread is necessary for a primary side or secondary side port, please contact us separately



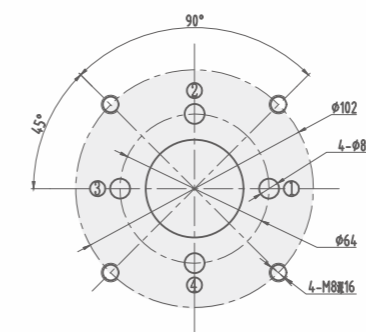
停止側 Stop Side



旋轉側 Rotating Side



安裝部加工尺寸
Machining Dimensions of Mounting Area



訂購標示法 ORDERING INDICATION
CJRC-040BA
SD

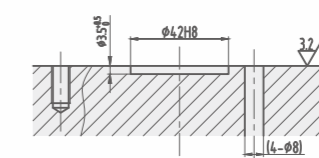
B S :1次側配管方式 Primary Side Piping Method
A D :2次側配管方式 Secondary Side Piping Method

1. 旋轉側請使用螺栓固定法蘭部, 停止側請只對旋轉方向進行固定。
2. 停止側的配管請使用軟管。
3. 油氣並用時, 油膜有可能滲入氣壓迴路, 請在兩迴路間設置殘液排放迴路
4. 連續運轉會導致內部密封件發熱, 因此請避免連續運轉。
5. 各供給口均標有及介面編號。
6. 2次側使用Rc1/4介面採用外配管方式連接時, 請使用附帶的R1/8螺紋堵頭塞住板式連介面。當使用板式連介面時, 請安裝O形密封圈和R1/4螺紋堵頭。

1. The rotation side must be fixed the flange part with of bolt, and restrain only the rotation direction of the stop side.
2. Please use hose for piping of stop side.
3. Please prepare one circuit for drainage between them when the oil slick leak from the hydraulic circuit to adjacent air circuit becomes a problem.
4. Please avoid continuous operation as it will cause overheating and damage to the internal packing.
5. Each port exhibits a port number.
6. When using Rc1/4 thread for a secondary side port, please attach the attached R1/8 screw plug to the gasket port part. When using gasket option, please attach O-ring and R1/4 plug.

- 1次側供給口 Incoming Port
2-Rc1/4螺紋 Rc-1/4 Thread
2次側供給口 Outgoing Port
2-Rc1/4螺紋 2-Rc-1/4 Thread
R螺紋堵頭(附帶) With BSPT Plug (R-Thread Plug)
4-M8×45螺絲(附帶)
4-M8×1.25×45 Bolt (Included)

- 12-Rc1/8螺紋 2-Rc-1/8 Thread
R螺紋堵頭(附帶) With BSPT Plug (R-Thread Plug)
2次側供給口 Outgoing Port
2-板式連介面 2-Gasket Port
O形密封圈: 1BP12(附帶)
O-ring: 1BP12 (Included)



僅板式連接需要此項

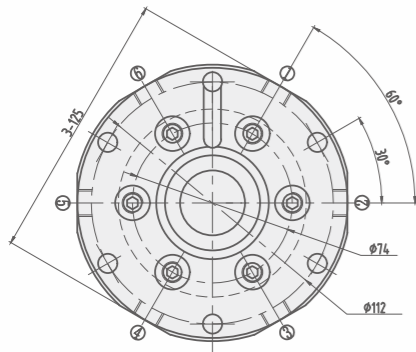
※1. 只有板式連接方式需要此項加工。
1. 安裝面(O形密封圈的密封面)的表面粗糙度 按6.3S加工。

※1. Only in the case of a gasket method, it is necessary. 1. Roughness of mounting surface (O ring sealsurface) should be 6.3S or less.

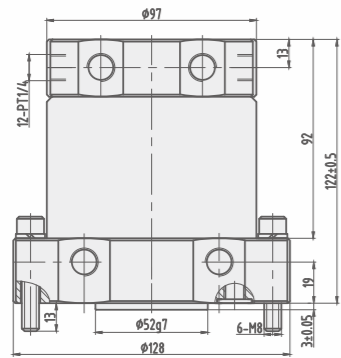
外形尺寸: CJRC-060
External Dimensions: CJRC-060

※ 本圖表示CJRC-060SA(6回路)
□ This drawing indicates CJRC-060SA(6 Port Circuit)

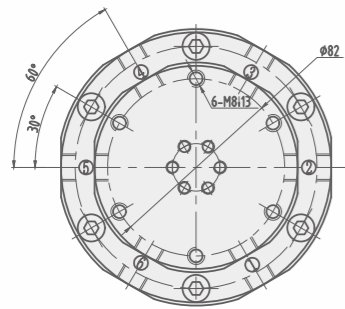
1次側供給口或2次側供給口需要G螺紋時, 請另行諮詢。
When G thread is necessary for a primary side or secondary side port, please contact us separately



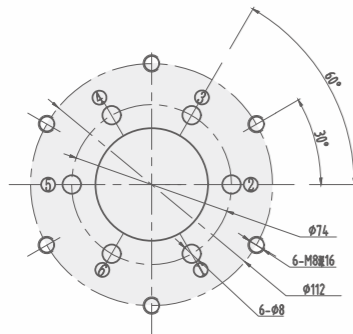
停止側 Stop Side



旋轉側 Rotating Side



安裝部位加工尺寸
Machining Dimensions of Mounting Area



訂購標示法 ORDERING INDICATION
CJRC-060BA
SD

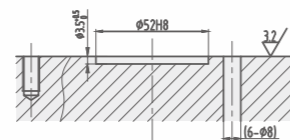
B S : 1次側配管方式 Primary Side Piping Method
A D : 2次側配管方式 Secondary Side Piping Method

1. 旋轉側請使用螺栓固定法蘭部, 停止側請只對旋轉方向進行固定。
2. 停止側的配管請使用軟管。
3. 油氣並用時, 油膜有可能滲入氣壓回路, 請在兩迴路間設置殘液排放迴路
4. 連續運轉會導致內部密封件發熱, 因此請避免連續運轉。
5. 各供給口均標有及介面編號。
6. 2次側使用Rc1/4介面採用外配管方式連接時, 請使用附帶的R1/8螺紋堵頭塞住板式連介面。當使用板式連介面時, 請安裝O形密封圈和R1/4螺紋堵頭。

1. The rotation side must be fixed the flange part with of bolt, and restrain only the rotation direction of the stop side.
2. Please use hose for piping of stop side.
3. Please prepare one circuit for drainage between them when the oil slick leak from the hydraulic circuit to adjacent air circuit becomes a problem.
4. Please avoid continuous operation as it will cause overheating and damage to the internal packing.
5. Each port exhibits a port number.
6. When using Rc1/4 thread for a secondary side port, please attach the attached R1/8 screw plug to the gasket port part. When using gasket option, please attach O-ring and R1/4 plug.

- 1次側供給口 Incoming Port
2-Rc1/4螺紋 Rc-1/4 Thread
2次側供給口 Outgoing Port
2-Rc1/4螺紋 2-Rc-1/4 Thread
R螺紋堵頭(附帶) With BSPT Plug (R-Thread Plug)
4-M8×45螺絲(附帶)
4-M8×1.25×45 Bolt (Included)

- 12-Rc1/8螺紋 2-Rc-1/8 Thread
R螺紋堵頭(附帶) With BSPT Plug (R-Thread Plug)
2次側供給口 Outgoing Port
2-板式連介面 2-Gasket Port
O形密封圈: 1BP12(附帶)
O-ring: 1BP12 (Included)



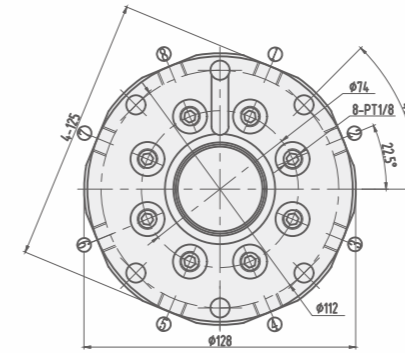
僅板式連接需要此項

- ※1. 只有板式連接方式需要此項加工。
1. 安裝面(O形密封圈的密封面)的表面粗糙度 按6.3S加工。
※1. Only in the case of a gasket method, it is necessary. 1. Roughness of mounting surface (O ring sealsurface) should be 6.3S or less.

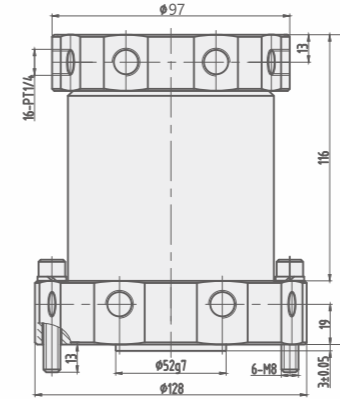
外形尺寸: CJRC-080
External Dimensions: CJRC-080

※ 本圖表示CJRC-080SA(8回路)
□ This drawing indicates CJRC-080SA(8 Port Circuit)

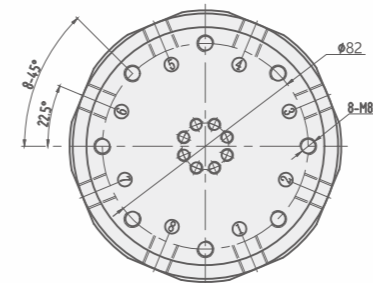
1次側供給口或2次側供給口需要G螺紋時, 請另行諮詢。
When G thread is necessary for a primary side or secondary side port, please contact us separately



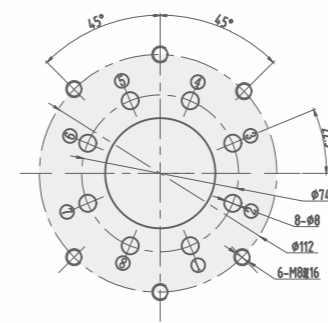
停止側 Stop Side



旋轉側 Rotating Side



安裝部位加工尺寸
Machining Dimensions of Mounting Area



訂購標示法 ORDERING INDICATION
CJRC-080BA
SD

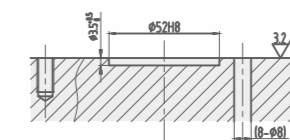
B S : 1次側配管方式 Primary Side Piping Method
A D : 2次側配管方式 Secondary Side Piping Method

1. 旋轉側請使用螺栓固定法蘭部, 停止側請只對旋轉方向進行固定。
2. 停止側的配管請使用軟管。
3. 油氣並用時, 油膜有可能滲入氣壓回路, 請在兩迴路間設置殘液排放迴路
4. 連續運轉會導致內部密封件發熱, 因此請避免連續運轉。
5. 各供給口均標有及介面編號。
6. 2次側使用Rc1/4介面採用外配管方式連接時, 請使用附帶的R1/8螺紋堵頭塞住板式連介面。當使用板式連介面時, 請安裝O形密封圈和R1/4螺紋堵頭。

1. The rotation side must be fixed the flange part with of bolt, and restrain only the rotation direction of the stop side.
2. Please use hose for piping of stop side.
3. Please prepare one circuit for drainage between them when the oil slick leak from the hydraulic circuit to adjacent air circuit becomes a problem.
4. Please avoid continuous operation as it will cause overheating and damage to the internal packing.
5. Each port exhibits a port number.
6. When using Rc1/4 thread for a secondary side port, please attach the attached R1/8 screw plug to the gasket port part. When using gasket option, please attach O-ring and R1/4 plug.

- 1次側供給口 Incoming Port
2-Rc1/4螺紋 Rc-1/4 Thread
2次側供給口 Outgoing Port
2-Rc1/4螺紋 2-Rc-1/4 Thread
R螺紋堵頭(附帶) With BSPT Plug (R-Thread Plug)
4-M8×45螺絲(附帶)
4-M8×1.25×45 Bolt (Included)

- 12-Rc1/8螺紋 2-Rc-1/8 Thread
R螺紋堵頭(附帶) With BSPT Plug (R-Thread Plug)
2次側供給口 Outgoing Port
2-板式連介面 2-Gasket Port
O形密封圈: 1BP12(附帶)
O-ring: 1BP12 (Included)



僅板式連接需要此項

- ※1. 只有板式連接方式需要此項加工。
1. 安裝面(O形密封圈的密封面)的表面粗糙度 按6.3S加工。
※1. Only in the case of a gasket method, it is necessary. 1. Roughness of mounting surface (O ring sealsurface) should be 6.3S or less.