

# CTC-P

## 外螺紋小型油壓單動缸

## CTC-P HYDRAULIC THREAD CYLINDER



### 產品特性

外螺紋小型單動缸採用進口油封及零件，確保品質，使用時漏油量少，高壓夾持中保持長時間不漏油。外螺紋式小型單動缸體積小，使用於夾具上，能在小空間內排列使用。

此型式油壓缸使用於頂出場合，彈簧退回，無法使用於拉式場合上。安裝時儘可能垂直於工作面，傾斜勿超過10°。

缸體底部需置放一隻鎖緊防漏墊圈。

最大操作壓力：350 kgf/cm<sup>2</sup>

最小操作壓力：20 kgf/cm<sup>2</sup>

作動方式：單動式

### FEATURES

The Thread-body single acting hydraulic cylinder use imported oil seal and accessories to guarantee the quality. No oil leakage while clamping in high pressure for a long time. The volume of the thread-body single acting hydraulic cylinder is small. It can be utilized in a small space in the fixture. This hydraulic cylinder is used to extend out, and when spring returns, but it can't be used for pulling back.

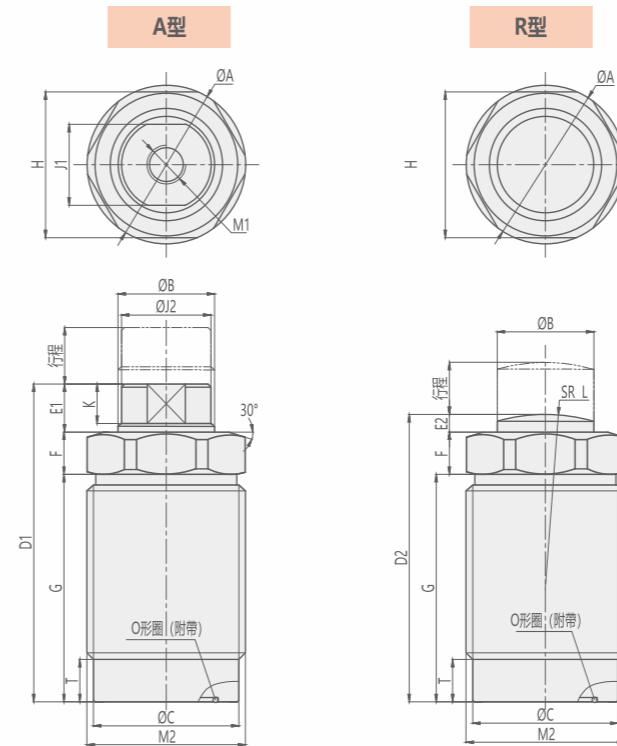
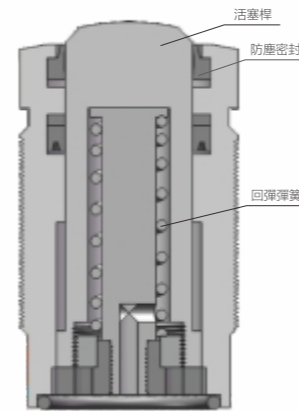
The angle degree between the cylinder and workpiece could not be larger than 10° while installing. The bottom of the cylinder barrel needs a leakage-proof gasket.

Max. operating pressure: 350 kgf/cm<sup>2</sup>

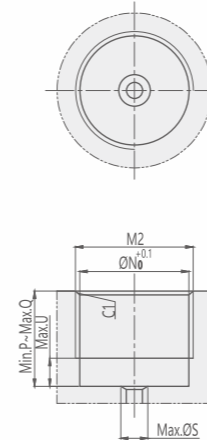
Min. operating pressure: 20 kgf/cm<sup>2</sup>

Single acting

### 剖面圖 Sectional view



### 安裝部位加工尺寸



外形尺寸及安裝部位加工尺寸表

External dimensions and machine dimensions for mounting

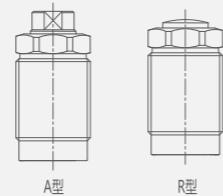
Unit:mm

MODEL	CTC-P022	CTC-P025	CTC-P030	CTC-P036	CTC-P048	CTC-P055	
A	24	26	33	40	50	55	
B	12	14	18	22.4	32	35.5	
C	20.3	23.3	28.3	34.3	46	52.6	
D1 行程	5	31	36	40.5	44.5	-	
	10	41	47	51.5	54.5	67.5	
	12	-	-	-	-	67	
	15	51.5	58	62.5	66.5	80.5	
	20	-	68	72.5	-	92	
	25	-	-	-	87.5	-	
D2 行程	5	-	-	-	118.5	104.5	
	10	27	31	34	36.5	-	
	12	37	42	45	46.5	57	
	15	47.5	53	56	58.5	70	
	20	-	63	66	-	81.5	
	25	-	-	-	79.5	-	
E1	7	8.5	10	12	16	17.5	
	3	3.5	3.5	4	5.5	6.5	
	8	9	10.5	12.5	14	15	
	M1	M6X1深6	M6X1深11	M8X1.25深13	M8X1.25深13	M12X1.75深18	M12X1.75深18
	M2	M22X1.5	M25X1.5	M30X1.5	M36X1.5	M48X1.5	M55X2.0
	G 行程	5	16	18.5	20	20	-
10		26	29.5	31	30	37.5	
12		-	-	-	-	34.5	
15		36.5	40.5	42	42	50.5	
20		-	50.5	52	-	62	
25		-	-	-	63	-	
H	22	24	30	36	46	50	
	10	12	14	19	27	30	
	11	13	17	21.4	30	32.5	
	5.5	6.5	7.5	9.5	12.5	13.5	
	20	25	32	40	50	60	
	20.5	23.5	28.5	34.5	46.5	53	
P	13	14	15	17	20	24	
	5	15.5	18	19.5	19.5	-	
	10	25.5	29	30.5	29.5	37	
	12	-	-	-	-	35.5	
	15	36	40	41.5	41.5	50	
	20	-	50	51.5	-	61.5	
Q 行程	25	-	-	62.5	-	-	
	32	-	-	-	88	71	
	8	10	14	19	26	34	
	7	7	7	7	7	10	
	6	6	6	6	6	9	
	O形圈	AS568-015	AS568-016	AS568-019	AS568-022	AS568-126	AS568-129

### 訂購標示法 ORDERING INDICATION

示例: CTC-P022A-10

CTC-P	系列 Series	CTC-P
022	022/025/030/036/048/055	
A	類型 TYPE	分為A型/R型兩種 It can be divided into A and R
10	行程 STROKE	(具體行程見尺寸表) Please refer to the dimension table for the more details



### 規格參數表 SPECIFICATIONS

型號	理論夾持力 (350 kgf/cm <sup>2</sup> )	總行程	推出容積	推出受壓面積	使用溫度範圍	使用液體
MODEL NO.	CLAMPING FORCE AT 350kgf/cm <sup>2</sup> (kgf)	TOTAL STROKE(mm)	CYLINDER CAPACITY CLAMP(cm <sup>3</sup> )	EFFPISTON AREA CLAMP(cm <sup>2</sup> )	RANGE OF TEMPERATURE(°C)	USABLE FLUID
CTC-P022	397	5/10/15	0.6/1.1/1.7	1.13	0~+70°C	相當於ISO黏度等級的ISO-VG-32一般液壓油 Recommended: ISO-VG-32 hydraulic oil equivalent to ISO viscosity grade
CTC-P025	540	5/10/15/20	0.8/1.5/2.3/3.1	1.54	0~+70°C	
CTC-P030	897	5/10/15/20	1.3/2.5/3.8/5.1	2.55	0~+70°C	
CTC-P036	1398	5/10/15/25	2.0/3.9/5.9/9.9	3.94	0~+70°C	
CTC-P048	2846	10/15/20/32	8.0/12.0/16.0/20.1	8.04	0~+70°C	
CTC-P055	3500	12/20/32	11.9/19.8/31.7	9.90	0~+70°C	