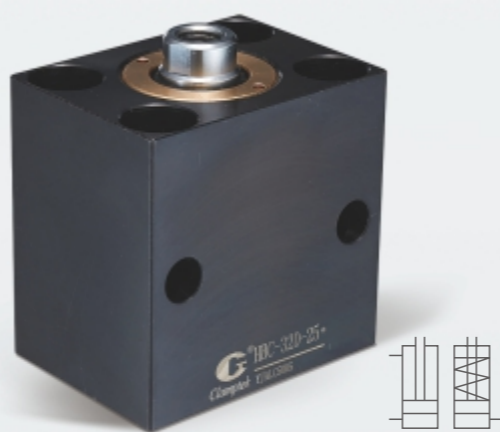


HBC

塊型油壓缸

HBC HYDRAULIC BLOCK CYLINDER



產品特性

本系列油壓缸為德規尺寸,採用進口油封保證耐壓,標準化規格,具互換性。安裝型式為軸向,側向兩用型,作動方式分為單動常入型與複動式。

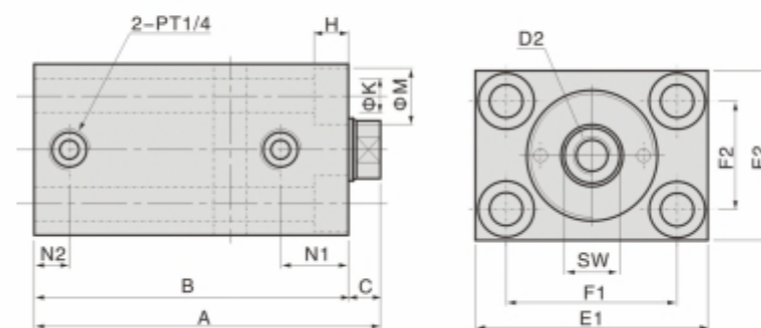
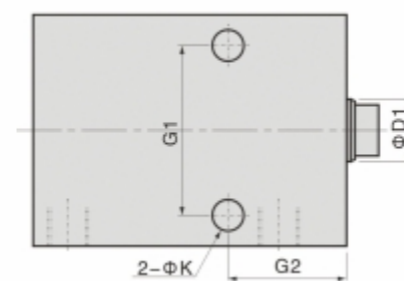
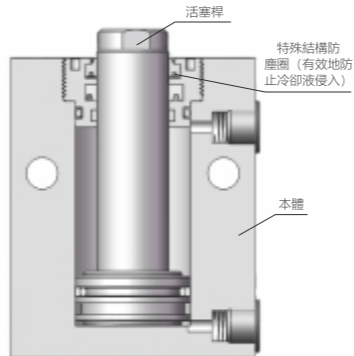
最大操作壓力: 300 kgf/cm²
 最小操作壓力: 100 kgf/cm²
 作動方式: 單動式和複動式

FEATURES

The HBC series is optimally designed with imported oil seals from Germany to help improve pressure resistance. With its standardized structure, this cylinder is interchangeable with other standard hydraulic push-pull cylinders from other brands. The installations are dual with axial and lateral types. Acting Type Options: Single-Acting or Double-Acting Type

Max. operating pressure: 300 kgf/cm²
 Min. operating pressure: 100 kgf/cm²
 Single acting and Double acting

剖面圖 Sectional view (複動型)



Dimension table Unit:mm

	Bore	Φ16				Φ25		Φ32		Φ40	
		Stroke	8	20	8	20	10	20	10	20	
Single acting	A	62	97	71	101	85	110	89	114		
	B	56	91	64	94	75	100	79	104		
	Stroke	16	50	20	50	25	50	25	50		
Double acting	A	62	97	71	101	85	110	89	114		
	B	56	91	64	94	75	100	79	104		
	Stroke	16	50	20	50	25	50	25	50		
C		6		7		10		10			
D1		10		16		20		25			
D2		M6×1.0 12Deep		M10×1.5 15Deep		M12×1.75 15Deep		M16×2.0 25Deep			
SW		8		13		17		22			
E1		60		65		75		85			
E2		35		45		55		63			
F1		40		50		55		63			
F2		22		30		35		40			
G1		30		50		55		63			
G2		30		33		38		40			
H		6.5		9		11		11			
K		6.8		9		11		11			
M		11		14		18		18			
N1		16.5		18		22		24			
N2		11		11		11		11			

注意事項

可接受訂製 (300 < P < 500), 歡迎與本公司洽詢

NOTE

Customization is available upon request (300 < P < 500), please contact us for more info.

訂購標示法 ORDERING INDICATION

示例: HBC-32S-20

HBC	系列 Series	HBC
32	油缸內徑 Hydraulic cylinder inside diameter	Φ16, Φ25, Φ32, Φ40
S	作動方式 Acting type	S單動Single-acting D雙動Double-acting
20	標準行程 Standard stroke	請參考尺寸表 Refer to the dimension table

規格參數表 SPECIFICATIONS

F1: 推出Push out F2: 拉入Pull in

油缸內徑 HYDRAULIC CYLINDER INSIDE DIAMETER(mm)	活塞桿徑 PISTON DIAMETER(mm)	受壓面積 PRESSURE AREA(Cm ²)		操作壓力 OPERATION PRESSURE(kgf/cm ²)				使用流體 USABLE FLUID
		F1	F2	100		300		
Φ16	Φ10	2.01	1.22	201	122	603	366	相當於ISO黏度等級的ISO-VG-32一般液壓油 Recommended: ISO-VG-32 hydraulic oil equivalent to ISO viscosity grade
Φ25	Φ16	4.91	2.9	491	290	1473	870	
Φ32	Φ20	8.04	4.9	804	490	2412	1470	
Φ40	Φ25	12.57	7.66	1257	766	3771	2298	